

*Instructions for work  
Betriebsanleitung*

*List of spare parts  
Ersatzteilliste*



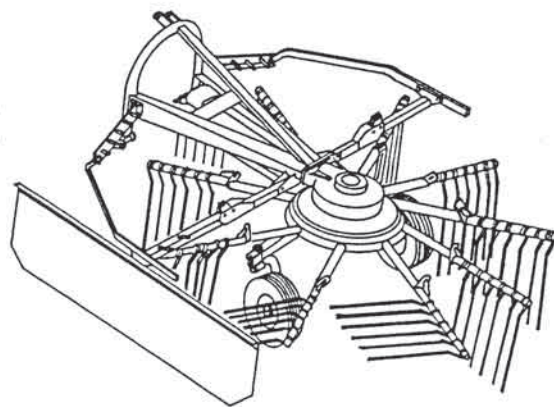
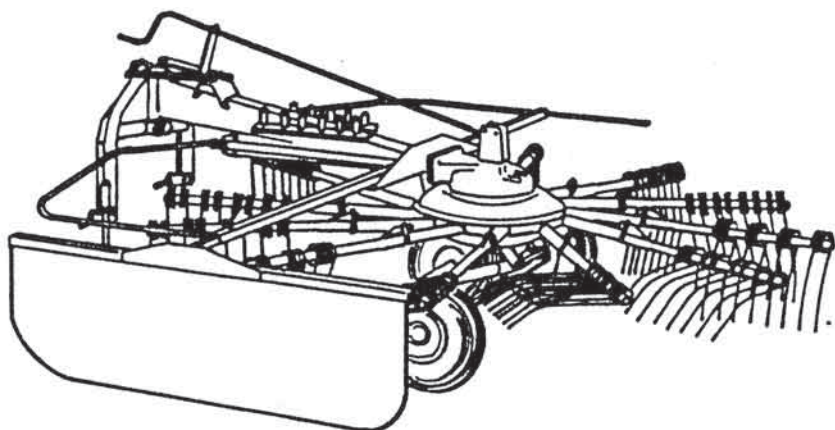
# SIP

# STAR

## 345,360,400,430,470

rotary windrower

kreiselschwader



Valid from serial number on:

Gültig ab Maschinnummer:

STAR 345 = 061, STAR 360 = 061,

STAR 400 = 021, STAR 430 = 071,

STAR 470 = 021

1997



# SIP

STROJNA INDUSTRIJA d.o.o.  
3311 Šempeter v Savinjski dolini  
Slovenija

Tel: +386 (063) 702 211

Fax: +386 (063) 702 131

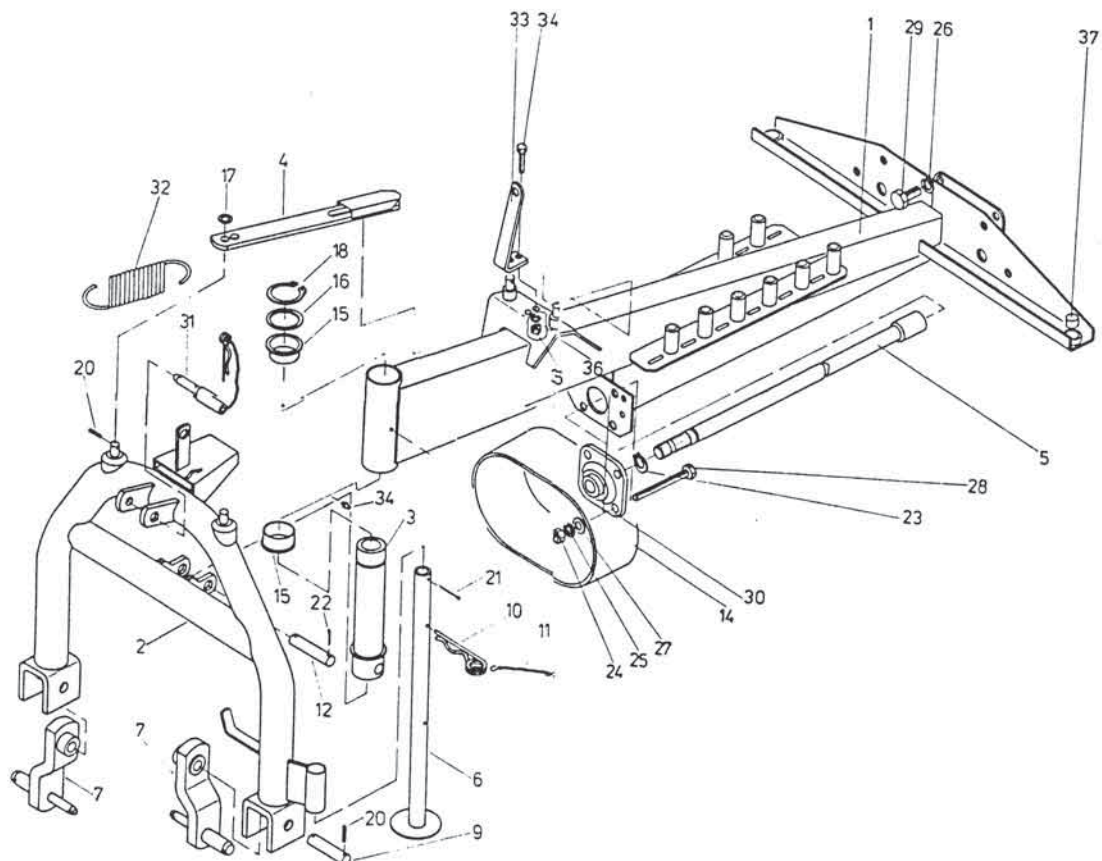
702 134

154082307

| No. on the figure<br>Numer<br>anzeichn. | Catalogue no.<br>Katalog nummer | Description | Benennung              | Quantity<br>Stück       |    |
|---|---------------------------------|-------------|------------------------|-------------------------|----|
| 1                                       | 153650115-372.02.001.1          | AB          | Holder                 | Träger                  | 1  |
| 1                                       | 153753415-381.02.001.0          | C           | Holder                 | Träger                  | 1  |
| 2                                       | 153923302-372.02.100.0          | A,B,C       | Bow                    | Anbaubock               | 1  |
| 3                                       | 153652417-372.02.028.1          | A,B,C       | Tube                   | Lagerrohr               | 1  |
| 4                                       | 153922802-372.02.110.0          | A,B,C       | Guidance               | Führung                 | 1  |
| 5                                       | 153753904-381.02.006.0          | C           | Shaft                  | Welle                   | 1  |
| 5                                       | 153652700-372.02.033.0          | AB          | Shaft                  | Welle                   | 1  |
| 6                                       | 153652906-372.02.036.0          | A,B,C       | Support leg            | Stützfuß                | 1  |
| 7                                       | 154011313-372.02.113.2          | A,B,C       | Bolt                   | Bolzen                  | 2  |
| 9                                       | 910028204-FLO.000.01            | A,B,C       | Bolt                   | Bolzen                  | 2  |
| 10                                      | 152903807-516.02.015.0          | A,B,C       | Wire safety pin        | Feder vorstecker        | 1  |
| 11                                      | 152903709-516.00.020.0          | A,B,C       | Chain                  | Kette kpl.              | 1  |
| 12                                      | 151071306-11.23.047.6           | A,B,C       | Bolt 5-25x110          | Bolzen 5-25x110         | 1  |
| 14                                      | 152595301-338.03.011.0          | A,B,C       | P.T.O Shaft protection | Gelenkwelle Schutz      | 1  |
| 15                                      | 151027604-510.05.057.0          | A,B,C       | Sleeve 60,5/76-30      | Kanstoff buchse         | 2  |
| 16                                      | 151024206-TN 01                 | A,B,C       | Washer 60,5/76-3,5     | Unterlage 60,5/76-3,5   | 1  |
| 17                                      | 152001103-TN 01                 | A,B,C       | Washer 18,2/32-2       | Unterlage 18,2/32-2     | 4  |
| 18                                      | 000238004                       | A,B,C       | Circlip Z 60           | Sicherungsring 60       | 1  |
| 20                                      | 150084704                       | A,B,C       | Pin 5x32 Zn            | Spannstift 5x32 Zn      | 8  |
| 21                                      | 000240402                       | A,B,C       | Cotter 5x50 Zn         | Splint 5x50 Zn          | 1  |
| 22                                      | 000240803                       | A,B,C       | Circlip 6,3x40 Zn      | Splint 6,3x40 Zn        | 2  |
| 23                                      | 000237602                       | A,B,C       | Nut Z 35               | Sicherungsring 35       | 1  |
| 24                                      | 000221502                       | A,B,C       | Washer M12 5 Zn        | Mutter M12 5 Zn         | 12 |
| 25                                      | 000228603                       | A,B,C       | Washer B12 Zn          | Unterlage B12 Zn        | 4  |
| 26                                      | 000251505                       | A,B,C       | Washer B16 Zn          | Unterlage B16 Zn        | 4  |
| 27                                      | 000224509                       | A,B,C       | Washer A12 Zn          | Unterlage M12x70 Zn     | 4  |
| 28                                      | 150136506                       | A,B,C       | Screw M12x70 5.6       | Schraube M12x70 5.6     | 4  |
| 29                                      | 000253905                       | A,B,C       | Screw M16x35 8.8 Zn    | Schraube M16x35 8.8 Zn  | 4  |
| 30                                      | 150175704-FKL                   | A,B,C       | Bearing UYF 207        | Lager UYF 207           | 1  |
| 31                                      | 152595115-338.03.006.1          | A,B,B       | Bolt                   | Bolzen mit Versicherung | 1  |
| 32                                      | 153924007-372.11.024.0          | A,B,C       | Spring 2-7x35-306 Zn   | Feder 2-7x35-306 Zn     | 1  |
| 33                                      | 153923703-372.06.053.0          | A,B,C       | Holder                 | Träger geschw.          | 1  |
| 34                                      | 000200400                       | A,B,C       | Screw M8x30 8.8 Zn     | Schraube M8x30 8.8 Zn   | 2  |
| 35                                      | 000220905                       | A,B,C       | Nut M8 8 Zn            | Mutter M8 8 Zn          | 2  |
| 36                                      | 000228202                       | A,B,C       | Washer B8 Zn           | Unterlage B8 Zn         | 2  |
| 37                                      | 151467905-590.01.020.0          | A,B,C       | Bumper (70 Sh)         | Stosser (70 Sh)         | 2  |

A = STAR 400  
B = STAR 430  
C = STAR 360

Bild 1  
Fig 1

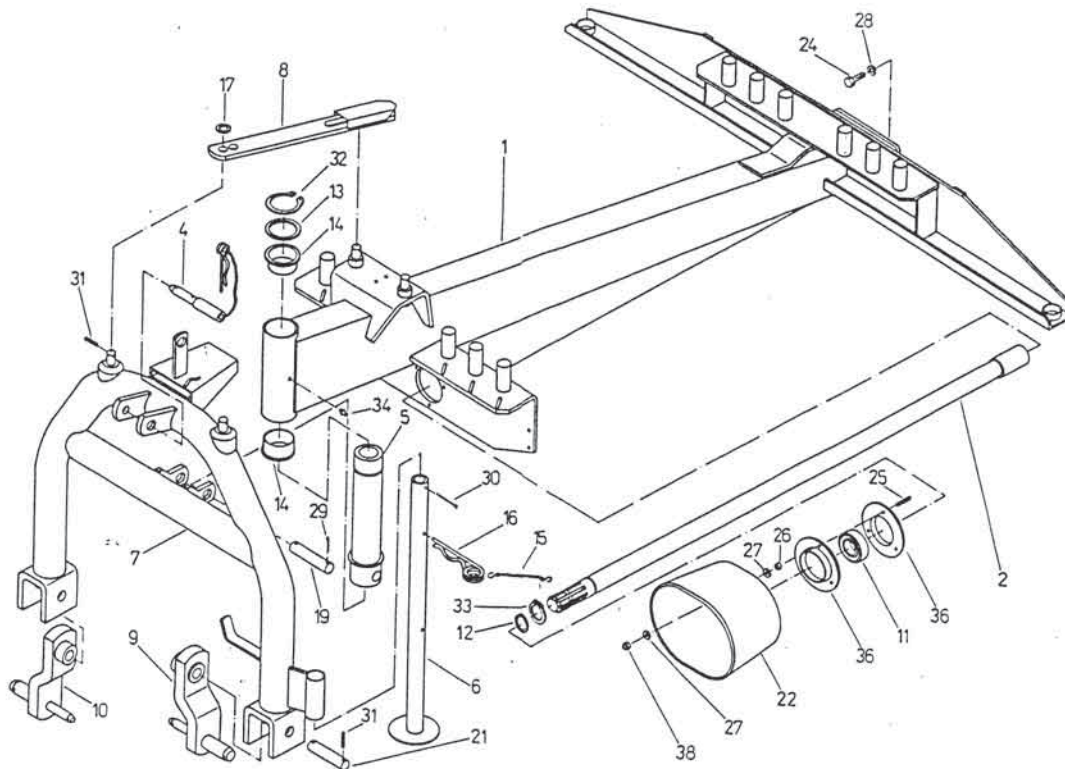




| No.on the figure<br>Numer<br>anzeichn. | Catalogue no.<br>Katalog nummer | Description             | Benennung                | Quantity<br>Stück |
|--|---------------------------------|-------------------------|--------------------------|-------------------|
| 1                                      | 154071104-380.02.001.0          | Holder                  | Träger schw.             | 1                 |
| 2                                      | 154072005-380.02.010.0          | Shaft                   | Welle schw.              | 1                 |
| 4                                      | 152595115-338.03.006.1          | Bolt                    | Bolzen mit die Sicherung | 1                 |
| 5                                      | 153652417-372.02.028.1          | Tube                    | Lagerrohr schw.          | 1                 |
| 6                                      | 153652906-372.02.036.0          | Support leg             | Stützfuß                 | 1                 |
| 7                                      | 154201900-380.02.012.0          | Bow                     | Bogenrohr                | 1                 |
| 7                                      | 153651310-372.02.017.1 A        | Bow                     | Bogenrohr                | 1                 |
| 8                                      | 154202605-380.02.019.0          | Guidance                | Führung schw.            | 2                 |
| 9                                      | 154011313-372.02.113.2          | Bolt                    | Bolzen-links schw.       | 1                 |
| 11                                     | 154039007-383.02.008.0          | Bearing                 | Lager                    | 1                 |
| 12                                     | 151002202-455.01.024.0          | Washer 35,2/46x2        | Unterlage 35,2/46x2      | 1                 |
| 13                                     | 151024206-510.05.026.0          | Washer                  | Unterlage                | 1                 |
| 14                                     | 151027604-510.05.057.0          | Sleeve                  | Buchse (Kunststoff)      | 2                 |
| 15                                     | 152903709-516.00.020.0          | Chain                   | Kette kpl.               | 1                 |
| 16                                     | 152903807-516.02.015.0          | Wire safety clamp       | Feder vorstecker         | 1                 |
| 17                                     | 151169602-162.510               | Washer 22,2/34x1,5 Zn   | Unterlage                | 4                 |
| 19                                     | 151071306-11.23.047.6           | Bolt 5                  | Bolzen 5                 | 1                 |
| 21                                     | 910028204-FLO.000.01            | Bolt                    | Bolzen                   | 2                 |
| 22                                     | 910062407-FLO.000.20            | P.T.O shaft protection  | Gelenkwelle schutz       | 1                 |
| 24                                     | 000253905                       | Screw M16x35 8.8 Zn     | Schraube M16x35 8.8 Zn   | 4                 |
| 25                                     | 155547900                       | Screw M10x40 45 H       | Schraube M10x40 45 H     | 3                 |
| 26                                     | 000221307                       | Nut M10 8 Zn            | Mutter M10 8 Zn          | 3                 |
| 27                                     | 000224304                       | Washer A10 Zn           | Unterlage A10 Zn         | 6                 |
| 28                                     | 000251505                       | Washer B16 Zn           | Unterlage B16 Zn         | 4                 |
| 29                                     | 000240803                       | Cotter 6,3x40 Zn        | Splint 6,3x40 Zn         | 2                 |
| 30                                     | 000240402                       | Cotter 5x50 Zn          | Splint 5x50 Zn           | 1                 |
| 31                                     | 150084704                       | Pin 5x32 Zn             | Spannstift 5x32          | 8                 |
| 32                                     | 000238004                       | Circlip 60 Zn           | Sicherungsring 60        | 1                 |
| 33                                     | 000237602                       | Circlip 35              | Sicherungsring 35        | 1                 |
| 34                                     | 000246601                       | Lubricator AM 8x1       | Schmiernippel AM 8x1     | 1                 |
| 36                                     | 150407303-NTN ali FAG           | Housing PF 207 / FB 207 | Gehäuse PF 207 /FB 207   | 1                 |
| 38                                     | 150084009                       | Nut M10 8 Cd            | Mutter M10 8 Cd          | 3                 |

STAR 470

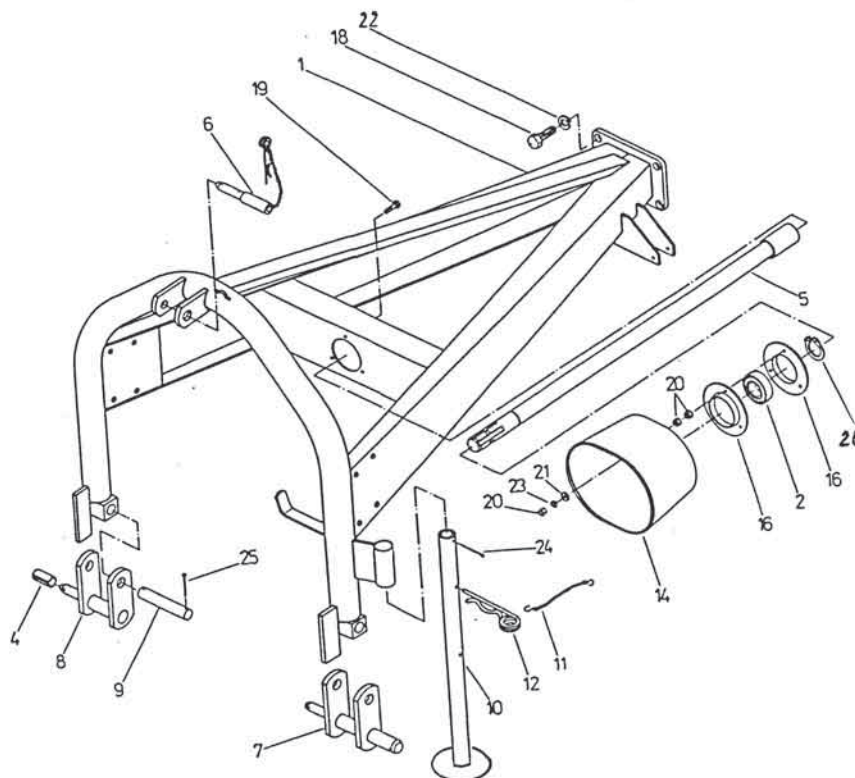
Bild 2  
Fig 2



| No.on the figure<br>Numer<br>anzeichn. | Catalogue no.<br>Katalog nummer | Benennung              | Description             | Quantity<br>Stück |
|--|---------------------------------|------------------------|-------------------------|-------------------|
| 1                                      | 154038204-383.02.001.0          | Deckel schw.           | Hitch                   | 1                 |
| 2                                      | 154039007-383.02.008.0          | Lager                  | Bearing                 | 1                 |
| 4                                      | 151029407-200.07.005.5          | Buchse Zn              | Sleeve Zn               | 1                 |
| 5                                      | 151576913-327.03.031.1          | Welle schw.            | Shaft                   | 1                 |
| 6                                      | 152595115-338.03.006.1          | Bolzen mit sicherung   | Bolt                    | 1                 |
| 7                                      | 153263809-368.00.022.0          | Anbaubock schw.2       | Hitch 2                 | 1                 |
| 8                                      | 153264005-368.00.026.0          | Anbaubock schw.2       | Hitch 2                 | 1                 |
| 9                                      | 153264201-368.00.029.0          | Bolzen                 | Bolt                    | 2                 |
| 10                                     | 153652916-372.02.036.1          | Stützfuß               | Suport leg              | 1                 |
| 11                                     | 152903709-516.00.020.0          | Kette kpl.             | Chain                   | 1                 |
| 12                                     | 152903807-516.02.015.0          | Sicherungsdraht        | Wire safety clamp       | 1                 |
| 14                                     | 910062407-FLO.000.20            | Gelenkwellesicherung   | P.T.O. Shaft protection | 1                 |
| 16                                     | 150407303-NTN ali FAG           | Gehäuse                | Housing                 | 1                 |
| 18                                     | 000253905                       | Schraube M16x35 8.8 Zn | Screw M16x35 8.8 Zn     | 4                 |
| 19                                     | 150110301                       | Schraube M10x45 8.8 Zn | Screw M10x45 8.8 Zn     | 3                 |
| 20                                     | 000221307                       | Mutter M10 8 Zn        | Nut M10 8 Zn            | 9                 |
| 21                                     | 000224304                       | Unterlage A10 Zn       | Washer A10 Zn           | 3                 |
| 22                                     | 000251505                       | Unterlage B16 Zn       | Washer B16 Zn           | 4                 |
| 23                                     | 000228408                       | Unterlage B10 Zn       | Washer B10 Zn           | 3                 |
| 24                                     | 000240402                       | Splint 5x50 Zn         | Cotter 5x50 Zn          | 1                 |
| 25                                     | 000240000                       | Splint 5x32 Zn         | Cotter 5x32             | 4                 |
| 26                                     | 000237602                       | Sicherungsring 35      | Circlip 35              | 1                 |

STAR 345

Bild 3  
Fig 3



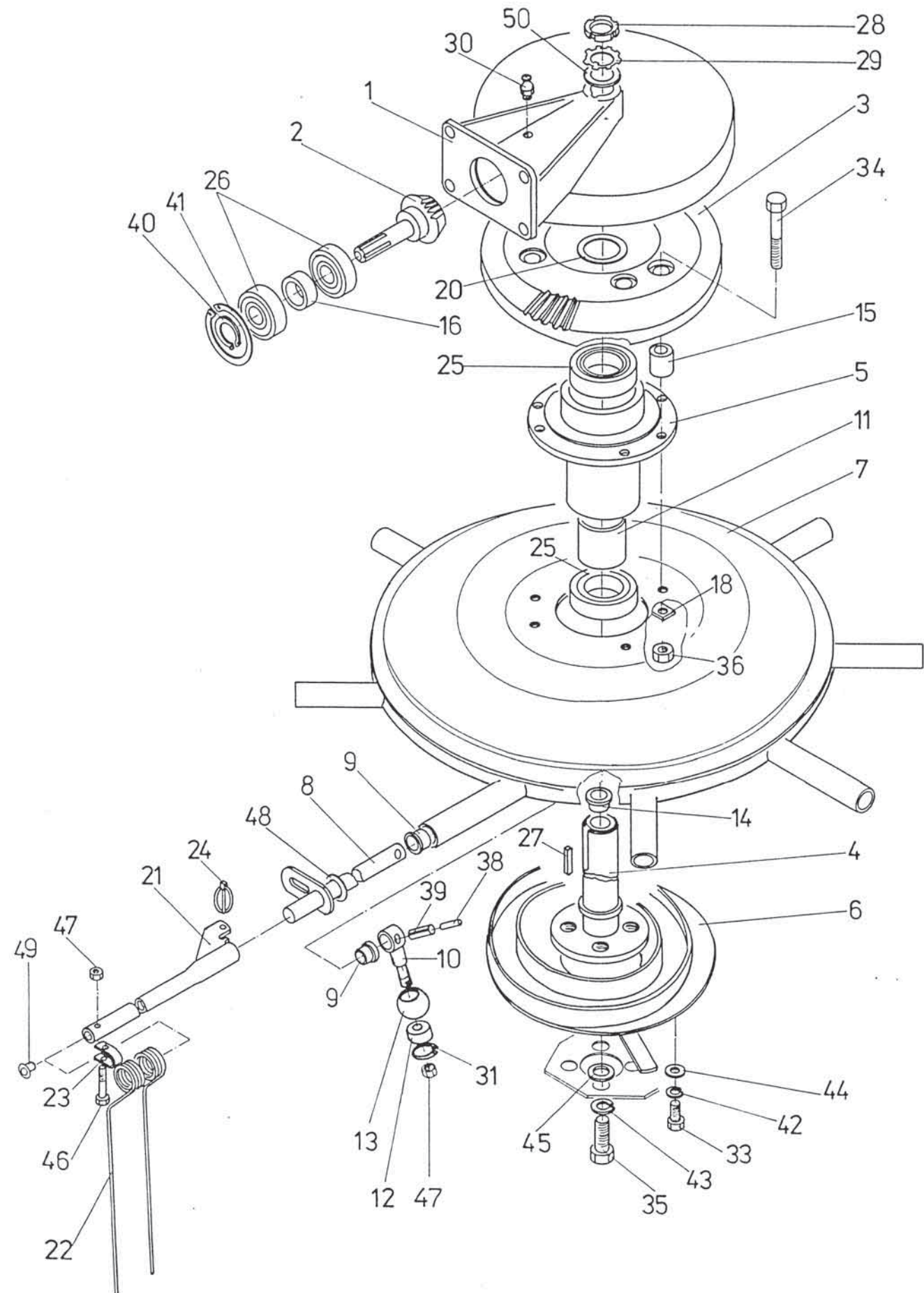


| No.on the figure Numer anzeichn. | Catalogue no. Katalog nummer   | Description          | Benennung                | Quantity Stück |
|----------------------------------|--------------------------------|----------------------|--------------------------|----------------|
| 1                                | 153653200-372.01.001.0         | Housing              | Gehäuse                  | 1              |
| 2                                | 153432208-376.01.006.0         | Pinion 3             | Kegelrad 3               | 1              |
| 3                                | 153656403-372.01.031.0         | Pinion2              | Kegelrad 2               | 1              |
| 4                                | 153653318-372.01.002.1         | Tube                 | Lagerrohr schw.          | 1              |
| 5                                | 153653601-372.01.005.0         | Housing              | Lagergehäuse             | 1              |
| 6                                | 153653915-372.01.008.1         | Cam                  | Krümmungskurve           | 1              |
| 7                                | 153654502-372.01.014.0 A,B     | Rotor                | Kreisel schw.            | 1              |
| 7                                | 153752308-381.01.001.0 C,D     | Rotor                | Kreisel schw.            | 1              |
| 7                                | 154068011-380.01.003.1 E       | Rotor                | Kreisel schw.            | 1              |
| 8                                | 153752709-381.01.005.0 A,B     | Bar 4                | Strebe 4 schw.           | 12             |
| 8                                | 153752709-381.01.005.0 C,D     | Bar 4                | Strebe 4 schw.           | 10             |
| 8                                | 154068305-380.01.006.0 E       | Bar 4                | Strebe 4 schw.           | 12             |
| 9                                | 153655609-372.01.022.0 A,B,E   | Sleeve               | Buchse-Kunststoff        | 24             |
| 9                                | 153655609-372.01.022.0 C,D     | Sleeve               | Buchse-Kunststoff        | 20             |
| 10                               | 153752905-381.01.007.0 A,B,E   | Handle               | Handchen schw.           | 12             |
| 10                               | 153752905-381.01.007.0 C,D     | Handle               | Handchen schw.           | 10             |
| 11                               | 153656001-372.01.026.0         | Sleeve               | Buchse 1                 | 1              |
| 12                               | 150376701 A,B,E                | Bearing 3201 2 Z     | Lager 3201 2 Z           | 12             |
| 12                               | 150376701 C, D                 | Bearing 3201 2 Z     | Lager 3201 2 Z           | 10             |
| 13                               | 153753209-381.01.010.0 A,B,E   | Roller               | Trägwälze                | 12             |
| 13                               | 153753209-381.01.010.0 C,D     | Roller               | Trägwälze                | 10             |
| 14                               | 151071002-215.03.011.6 A,B,C,E | Sleeve               | Buchse-kunststoff        | 2              |
| 14                               | 152380505-342.00.011.0 D       | Cover                | Buchse-kunststoff        | 1              |
| 15                               | 153434304-376.01.028.0         | Sleeve 4             | Buchse 4                 | 6              |
| 16                               | 151570008-327.01.038.0         | Sleeve 1             | Buchse 1                 | 1              |
| 18                               | 151019203-510.04.025.0         | Band 2               | Strebe 2                 | 3              |
| 20                               | 151570507-327.01.043.0 A,B,C,D | Washer               | Unterlage                | 2              |
| 20                               | 151570507-327.01.043.0 E       | Washer               | Unterlage                | 3              |
| 21                               | 153658411-372.05.001.1 A       | Spring tine arm      | Zinkenarm                | 12             |
| 21                               | 153796913-382.05.001.1 B,E     | Spring tine arm      | Zinkenarm                | 12             |
| 21                               | 153755001-381.05.001.0 C       | Spring tine arm      | Zinkenarm                | 10             |
| 21                               | 154042002-383.05.001.0 D       | Spring tine arm      | Zinkenarm                | 10             |
| 22                               | 153932908-381.05.100.0 A,B     | Spring tine          | Feder Zinken             | 48             |
| 22                               | 153932908-381.05.100.0 C       | Spring tine          | Feder Zinken             | 40             |
| 22                               | 153932908-381.05.100.0 D       | Spring tine          | Feder Zinken             | 30             |
| 22                               | 154059002-380.05.001.0 E       | Spring tine          | Feder Zinken             | 48             |
| 23                               | 153434402-376.01.029.0 A,B,E   | Plate                | Führungsblech            | 48             |
| 23                               | 153434402-376.01.029.0 C       | Plate                | Führungsblech            | 40             |
| 23                               | 153434402-376.01.029.0 D       | Plate                | Führungsblech            | 30             |
| 24                               | 150299803 A,B,E                | Pin 8x42             | Schleppenstift 8x42      | 12             |
| 24                               | 150299803 C,D                  | Pin 8x42             | Schleppenstift 8x42      | 10             |
| 25                               | 150389804                      | Bearing KR 6211 2 RS | Lager KR 6211 2 RS       | 2              |
| 26                               | 150406000                      | Bearing KR 6207 2 RS | Lager KR 6207 2 RS       | 2              |
| 27                               | 150117402 A,B,C,E              | Cotter B12x8x56      | Passfeder B12x8x56       | 2              |
| 27                               | 150323803 D                    | Cotter B12x8x100     | Passfeder B12x8x100      | 1              |
| 28                               | 150065805                      | Nut M55x2            | Mutter M55x2             | 1              |
| 29                               | 150066001                      | Washer 55            | Unterlage 55             | 1              |
| 30                               | 000246905                      | Lubricator AM 10x1   | Schmiernippl AM 10x1     | 2              |
| 31                               | 150377504 A,B,E                | Cirelip 32           | Sicherungsring 32        | 12             |
| 31                               | 150377504 C,D                  | Cirelip 32           | Sicherungsring 32        | 10             |
| 33                               | 150106806                      | Screw M10x20 8.8 Zn  | Schraube M10x20 8.8 Zn   | 1              |
| 34                               | 150046006                      | Screw M16x75 8.8 Zn  | Schraube M16x75 8.8 Zn   | 6              |
| 35                               | 000214100 A,B,C,E              | Screw M16x30 8.8     | Schraube M16x30 8.8      | 4              |
| 35                               | 000253807 D                    | Screw M16x40 8.8     | Schraube M16x40 8.8      | 4              |
| 36                               | 150367908                      | Nut M16 8 Cd         | Mutter M16 8 Cd          | 6              |
| 38                               | 000233606 A,B,E                | Pin 6x45             | Spannstift 6x45          | 12             |
| 38                               | 000233606 C,D                  | Pin 6x45             | Spannstift 6x45          | 10             |
| 39                               | 000235105 A,B,E                | Pin 10x45            | Spannstift 10x45         | 12             |
| 39                               | 000235105 C,D                  | Pin 10x45            | Spannstift 10x45         | 10             |
| 40                               | 000237602                      | Cirelip Z 35         | Sicherungsring 35        | 1              |
| 41                               | 000236505                      | Cirelip N72          | Sicherungsring 72        | 1              |
| 42                               | 000228408                      | Washer B10 Zn        | Unterlage B10 Zn         | 1              |
| 43                               | 000251505                      | Washer B16 Zn        | Unterlage B16 Zn         | 4              |
| 44                               | 000224304                      | Washer A10 Zn        | Unterlage A10 Zn         | 1              |
| 46                               | 150323901 A,B,E                | Screw M12x65 8.8 Zn  | Schraube M12x65 8.8 Zn   | 48             |
| 46                               | 150323901 C                    | Screw M12x65 8.8 Zn  | Schraube M12x65 8.8 Zn   | 40             |
| 46                               | 150323901 D                    | Screw M12x65 8.8 Zn  | Schraube M12x65 8.8 Zn   | 30             |
| 47                               | 150196004 A,B,E                | Nut M12 8 Cd         | Mutter M12 8 Cd          | 60             |
| 47                               | 150196004 C                    | Nut M12 8 Cd         | Mutter M12 8 Cd          | 50             |
| 47                               | 150196004 D                    | Nut M12 8 Cd         | Mutter M12 8 Cd          | 40             |
| 48                               | 151241409-TN 01 A,B,E          | Washer 30,2/50x1     | Unterlage 30,2/50x1      | 12             |
| 48                               | 151241409-TN 01 C,D            | Washer30,2/50x1      | Unterlage30,2/50x1       | 10             |
| 49                               | 150380607 A,B,E                | Plug R 3/4"          | Zapfen-kunststoff R 3/4" | 12             |
| 49                               | 150380607 C,D                  | Plug R 3/4"          | Zapfen-kunststoff R 3/4" | 10             |
| 50                               | 154038008-383.01.001.0         | Washer               | Unterlage                | 1              |

A = STAR 400    B = STAR 430    C = STAR 360    D = STAR 345    E = STAR 470

**Bild 4    Fig 4**

Bild 4  
Fig 4





| No.on the figure<br>Numer<br>anzeichn. | Catalogue no.<br>Katalog nummer | Description          | Benennung               | Quantity<br>Stück |
|--|---------------------------------|----------------------|-------------------------|-------------------|
| 1                                      | 154068608-380.04.001.0 E        | Protection left      | Schutz-links schw       | 1                 |
| 1                                      | 154176000 A                     | Protection left      | Schutz-links schw       | 1                 |
| 1                                      | 154177107 B                     | Protection left      | Schutz-links schw       | 1                 |
| 1                                      | 154171005 C                     | Protection left      | Schutz-links schw       | 1                 |
| 2                                      | 154069108-380.04.006.0 E        | Protection right     | Schutz-rechts schw.     | 1                 |
| 2                                      | 154176402 A                     | Protection right     | Schutz-rechts schw.     | 1                 |
| 2                                      | 154177009 B                     | Protection right     | Schutz-rechts schw.     | 1                 |
| 2                                      | 154171700 C                     | Protection right     | Schutz-rechts schw.     | 1                 |
| 4                                      | 151048306-200.14.014.5          | Screw 3              | Schraube 3              | 2                 |
| 5                                      | 151078602-215.11.006.0          | Spring 1             | Feder 1                 | 2                 |
| 6                                      | 151668316-327.06.007.1          | Spring RAL 7032      | Blattfeder RAL 7032     | 3                 |
| 7                                      | 153657901-372.04.012.0          | Bolt 5               | Bolzen 5                | 2                 |
| 8                                      | 153658117-372.04.019.1          | Curtain holder       | Schutzträger schw.      | 1                 |
| 9                                      | 153677408-372.04.022.0          | Curtain              | Vorhang                 | 1                 |
| 10                                     | 153677505-372.04.023.0          | Angle                | Vorhang winkel          | 1                 |
| 11                                     | 152449407-510.06.020.0          | Cover                | deckel                  | 1                 |
| 12                                     | 151467905-590.01.020.0          | Bumper               | Abstosser               | 2                 |
| 14                                     | 154069402-Prizez A,B,E          | Wire 7x7x1550        | Zugseil 7x7x1550        | 2                 |
| 14                                     | 154153301 C                     | Wire 7x7x1200        | Zugseil 7x7x1200        | 2                 |
| 16                                     | 000254101                       | Screw M8x25 8.8 Zn   | Schraube M8x25 8.8 Zn   | 4                 |
| 17                                     | 000207608                       | Screw M6x15 8.8 Zn   | Schraube M6x15 8.8 Zn   | 8                 |
| 18                                     | 000226106                       | Washer 7 tip 1 Zn    | Unterlage 7 tip 1 Zn    | 8                 |
| 19                                     | 000240803                       | Cotter 6,3x40 Zn     | Splint 6,3x40 Zn        | 2                 |
| 20                                     | 150016306                       | Pin 4x24 Zn          | Spanstift 4x24 Zn       | 2                 |
| 21                                     | 000210300                       | Screw M10x25 8.8 Zn  | Schraube M10x25 8.8 Zn  | 4                 |
| 22                                     | 000250800                       | Nut M8 5 Cd          | Mutter M8 5 Cd          | 4                 |
| 24                                     | 150084009                       | Nut M10 8 Cd         | Mutter M10 8 Cd         | 4                 |
| 23                                     | 000250506                       | Nut M6 5 Cd          | Mutter M6 5 Cd          | 8                 |
| 25                                     | 151159908-TN 01                 | Washer 8,5/24-1,5 Zn | Unterlage 8,5/24-1,5 Zn | 4                 |
| 26                                     | 150380607                       | Plug R 3/4"          | Zapfen-Kunststoffs      | 2                 |
| 27                                     | 150401005-OETIKER               | Clamp 11/13          | Klemme 11/13            | 8                 |

A = STAR 400

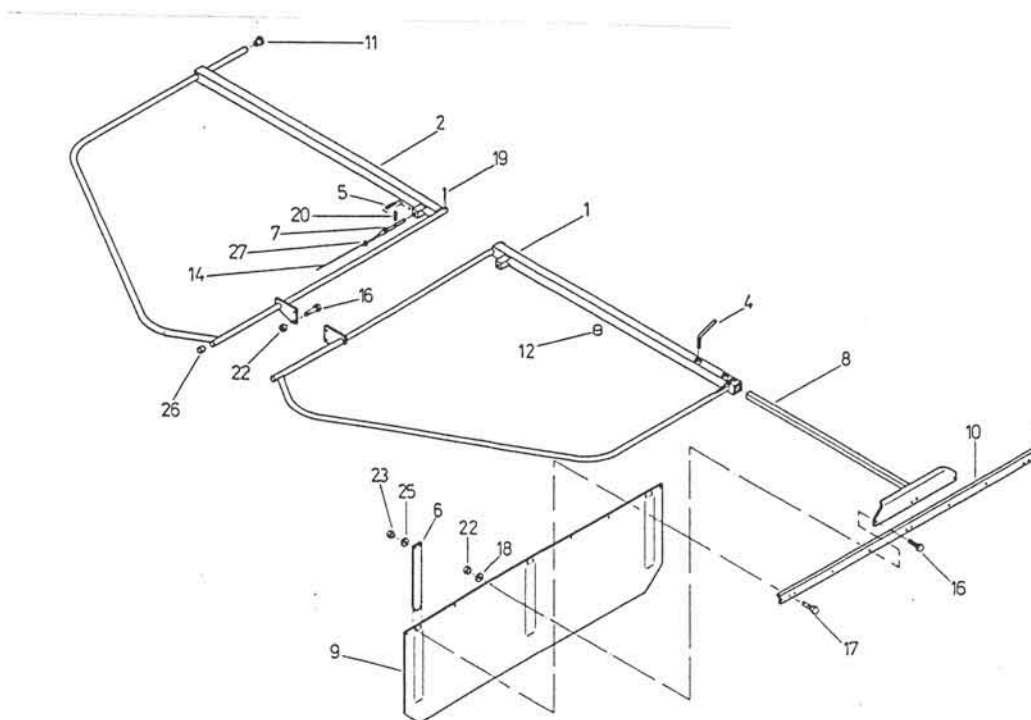
B = STAR 430

C = STAR 360

E = STAR 470

**Bild 5**

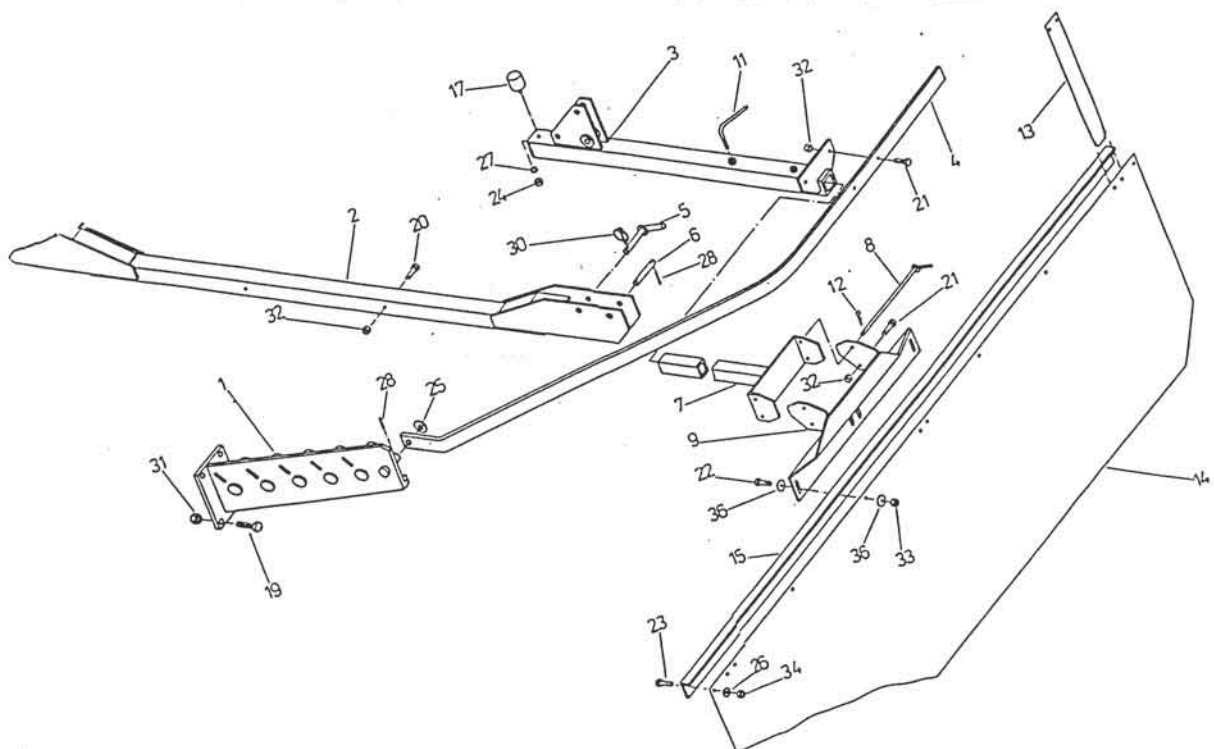
**Fig 5**



| No. on the figure<br>Numer<br>anzeichn. | Catalogue no.<br>Katalog nummer | Description          | Benennung                | Quantity<br>Stück |
|---|---------------------------------|----------------------|--------------------------|-------------------|
| 1                                       | 154039105-383.04.001.0          | Arm holder left      | Halter links schw.       | 1                 |
| 1                                       | 154039506-383.04.005.0          | Arm holder right     | Halter rechts schw.      | 1                 |
| 2                                       | 154039702-383.04.007.0          | Protection holder    | Schutzträger schw.       | 1                 |
| 3                                       | 154040102-383.04.011.0          | Protection tube left | Schutz rohr links schw.  | 1                 |
| 3                                       | 154040503-383.04.015.0          | Protection right     | Schutz rohr rechts schw. | 1                 |
| 4                                       | 154040709-383.04.017.0          | Bow                  | Bogen                    | 2                 |
| 5                                       | 154040807-383.04.018.0          | Bolt Zn              | Bolzen Zn                | 2                 |
| 6                                       | 154041003-383.04.020.0          | Bolt 5 Zn            | Bolzen 5 Zn              | 2                 |
| 7                                       | 154041101-383.04.021.0          | Holder               | Träger                   | 1                 |
| 8                                       | 154041405-383.04.023.0          | Bolt Zn              | Bolzen schw. Zn          | 1                 |
| 9                                       | 154041600-383.04.025.0          | Curtain holder       | Vorhänge träger          | 1                 |
| 11                                      | 151048306-200.14.014.5          | Screw                | Schraube mit grif        | 2                 |
| 12                                      | 151322900-250.00.002.0          | Safety device        | Sicherung                | 1                 |
| 13                                      | 151668315-327.06.007.1          | Spring               | Feder                    | 3                 |
| 14                                      | 153677408-372.04.022.0          | Curtain              | Vorhang                  | 1                 |
| 15                                      | 153677505-372.04.023.0          | Curtain ange         | Vinkel vorhänge          | 1                 |
| 17                                      | 150399009                       | Reflector            | Kreisabstosser           | 2                 |
| 19                                      | 000203504                       | Screw M12x45 8.8 Zn  | Schraube M12x45 8.8 Zn   | 8                 |
| 20                                      | 150147102                       | Screw M10x65 8.8 Zn  | Schraube M10x65 8.8 Zn   | 2                 |
| 21                                      | 000210701                       | Screw M10x30 8.8 Zn  | Schraube M10x30 8.8 Zn   | 6                 |
| 22                                      | 000254101                       | Screw M8x25 8.8 Zn   | Schraube M8x25 8.8 Zn    | 4                 |
| 23                                      | 000207608                       | Screw M6x15 8.8 Zn   | Vijak M6x15 8.8 Zn       | 8                 |
| 24                                      | 000220905                       | Nut M8 8 Zn          | Mutter M8 8 Zn           | 2                 |
| 25                                      | 000251300                       | Washer A16 Zn        | Unterlage A16 Zn         | 2                 |
| 26                                      | 000226106                       | Washer 7 tip 1 Zn    | Unterlage 7 tip 1 Zn     | 8                 |
| 27                                      | 000228202                       | Washer B8 Zn         | Unterlage B8 Zn          | 2                 |
| 28                                      | 150084704                       | Pin                  | Spann stift 5x32 Zn      | 6                 |
| 30                                      | 150398304                       | Pin 6x42             | Maschinen bolzen 6x42 Zn | 2                 |
| 31                                      | 150196004                       | Nut M12 8 Cd         | Muter M12 8 Cd           | 8                 |
| 32                                      | 150084009                       | Nut M10 8 Cd         | Muter M10 8 Cd           | 8                 |
| 33                                      | 000250800                       | Nut M8 5 Cd          | Muter M8 5 Cd            | 4                 |
| 34                                      | 000250506                       | Nut M6 5 Cd          | Muter M6 5 Cd            | 8                 |
| 36                                      | 151159908                       | Washer 8,5/24-1,5    | Unterlage 8,5/24-1,5     | 8                 |

STAR 345

Bild 6  
Fig 6





| No. on the figure<br>Numer<br>anzeichn. | Catalogue no.<br>Katalog nummer | Description                      | Benennung                         | Quantity<br>Stück |
|---|---------------------------------|----------------------------------|-----------------------------------|-------------------|
| 1                                       | 153661200-372.07.001.0 A B C    | Link upper                       | Obere Verbindungselement geschw.  | 1                 |
| 2                                       | 154173209-390.07.001.0 C        | Frame                            | Fahrges tall                      | 1                 |
| 2                                       | 154031700-372.70.001.0 A B      | Frame                            | Fahrges tall                      | 1                 |
| 3                                       | 154032406-381.70.001.0 A,B,C    | Swinging bar                     | Pändelachse                       | 2                 |
| 4                                       | 154032905-381.70.006.0 A,B,C    | Bracket                          | Konsole geschw.                   | 1                 |
| 5                                       | 154032200-372.70.006.0 A,B,C    | Bar 4-20x352 Zn                  | Stange 4-20x352 Zn                | 1                 |
| 6                                       | 151479901-590.05.024.0 A,B,C    | Washer 25,2/35-2 Kaljena         | Unterlage 25,2/35-2               | 2                 |
| 7                                       | 150405207-MEFRO 102261 A,B,C    | Wheel 15x6.00/6-4PLY L=64        | Rad kpl. 15x6.00/6-4PLY L=64      | 4                 |
| 8                                       | 150257000 A,B,C                 | Tyre 15x6.00-6 4 PR HWA FONG     | Reifen 15x6.00-6 4 PR HWA FONG    | 4                 |
| 9                                       | 150257108 A,B,C                 | Pneumatics 15x6                  | Schlauch 15x6                     | 4                 |
| 10                                      | 150260309 A,B,C                 | Rim 4.00x6 kpl.                  | Felge 4.00x6 kpl.                 | 4                 |
| 11                                      | 000255208 A,B,C                 | Bearing KR 6205 2 RS/25BC02XEE   | Lager KR 6205 2 RS/25BC02XEE      | 8                 |
| 12                                      | 155472507 A,B,C                 | Cover D 52 za kolo MEFRO 6.00x15 | Deckel D 52 za kolo MEFRO 6.00x15 | 4                 |
| 13                                      | 150257304 A,B,C                 | Washer 13 Zn (Kaljena)           | Unterlage 13 Zn                   | 6                 |
| 14                                      | 000224304 A,B,C                 | Washer A10 Zn                    | Unterlage A10 Zn                  | 4                 |
| 15                                      | 000230100 A,B,C                 | Washer B8 Zn                     | Unterlage B8 Zn                   | 4                 |
| 16                                      | 000228202 A,B,C                 | Washer B8 Zn                     | Unterlage B8 Zn                   | 4                 |
| 17                                      | 000210300 A,B,C                 | Screw M10x25 8.8 Zn              | Schraube M10x25 8.8 Zn            | 4                 |
| 18                                      | 150399009-086970 A,B,C          | Bumper TID D 62 Sh               | Stosser TID D 62 Sh               | 4                 |
| 19                                      | 000220905 A,B,C                 | Nut M8 8 Zn                      | Mutter M8 8 Zn                    | 4                 |
| 20                                      | 000240000 A,B,C                 | Cotter 5x32 Zn                   | Splint 5x32 Zn                    | 2                 |
| 21                                      | 150406803-INA A,B,C             | Sleeve PAP 2530 P10              | Buchse PAP 2530 P10               | 4                 |
| 22                                      | 150087202 A,B,C                 | Screw M12x25 8.8 Zn              | Schraube M12x25 8.8 Zn            | 6                 |

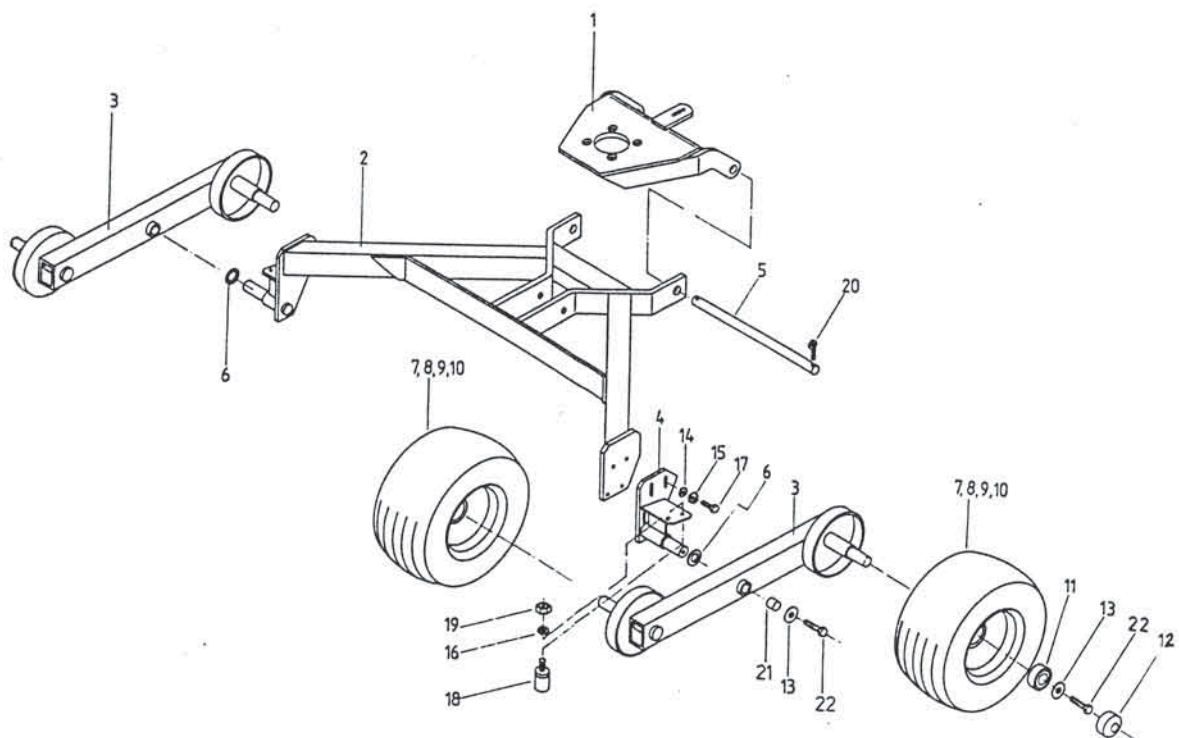
A = STAR 400

B = STAR 430

C = STAR 360

Bild 7

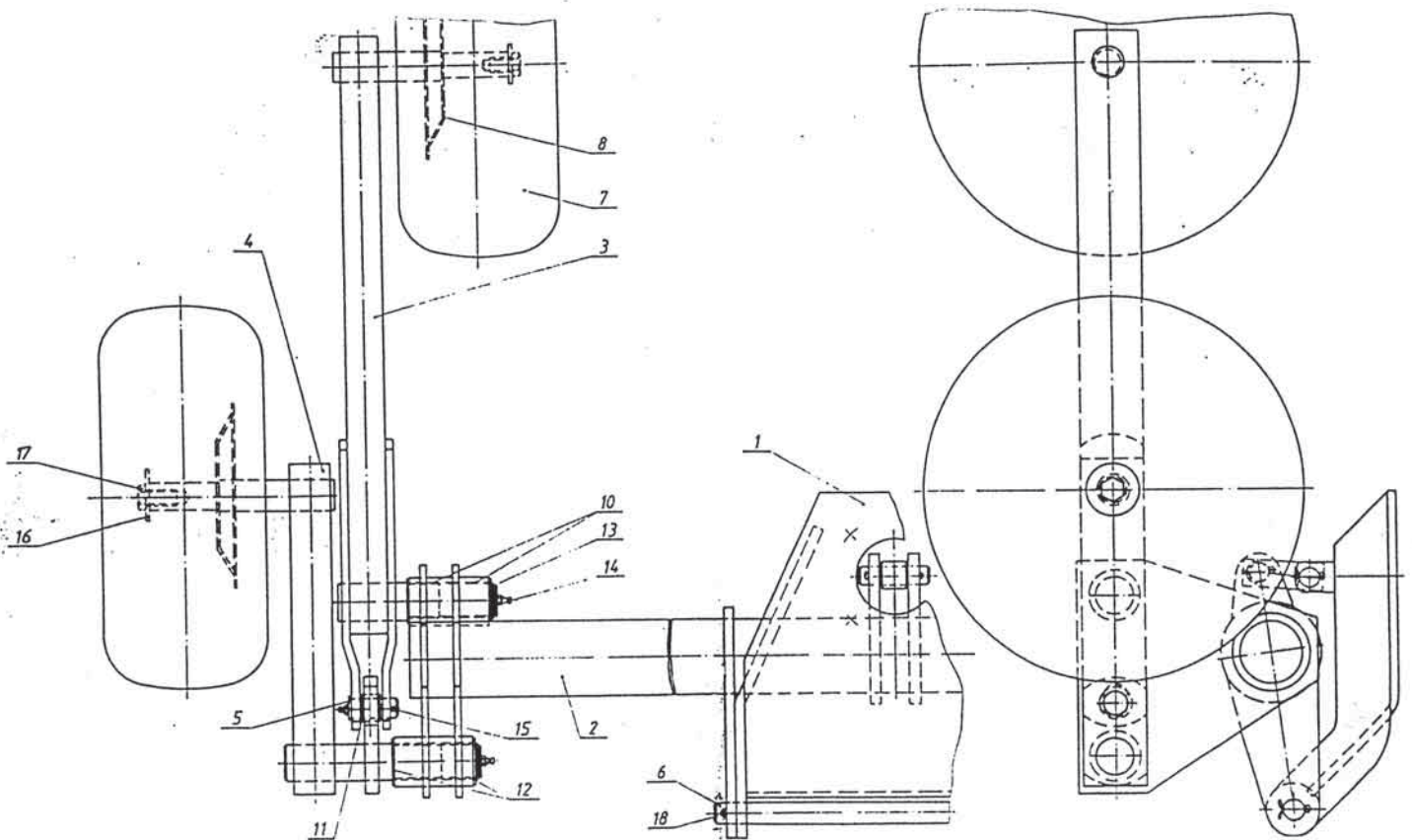
Fig 7



| No.on the figure<br>Numer<br>anzeichn. | Catalogue no.<br>Katalog nummer |          | Description                | Benennung                            | Quantity<br>Stück |
|--|---------------------------------|----------|----------------------------|--------------------------------------|-------------------|
| 1                                      | 153661200-372.07.001.0          | A,B,C    | Link upper                 | Obere Verbindungselement, geschw.    | 1                 |
| 1                                      | 154075208-380.07.015.0          | E        | Link upper                 | Obere Verbindungselement, geschw.    | 1                 |
| 2                                      | 154147104-372.72.001.0          | A,B      | Holder                     | Träger                               | 1                 |
| 2                                      | 154145400-381.72.001.0          | C        | Holder                     | Träger                               | 1                 |
| 2                                      | 154203007-380.71.001.0          | E        | Holder                     | Träger                               | 1                 |
| 3                                      | 154146105-381.72.007.0          | A,B,C,E  | Swinging arm inner         | Pändel-zwischenstrebe innehn geschw. | 2                 |
| 4                                      | 154146506-381.72.011.0          | A,B,C,E  | Swinging arm outer         | Pänderzwischenstrebe ausen geschw.   | 2                 |
| 5                                      | 154146908-381.72.015.0          | A,B,C,E  | Bolt 18                    | Bolzen 18                            | 2                 |
| 6                                      | 153663100-372.07.020.0          | A,B,C    | Bar 4                      | Stange 4                             | 1                 |
| 6                                      | 154032200-372.70.006.0          | E        | Bar 4                      | Stange 4                             | 1                 |
| 7                                      | 150405207                       | A,B,C    | Wheel cpl.                 | Rad kpl.                             | 4                 |
| 7                                      | 150410102-MEFRO (Ø25-64)        | E        | Wheel cpl. 16x6,50-8 4 PLY | Rad kpl. 6x6,50-8 4 PLY              | 4                 |
| 8                                      | 153667517-377.05.005.1          | A,B,C    | Protection                 | Schutz                               | 4                 |
| 10                                     | 150387209                       | A,B,C,E  | Sleeve PAP 3025 P 10       | Buchse PAP 3025 P 10                 | 8                 |
| 11                                     | 159776806-SKF INA               | A,B,C, E | Ring IR 20x25x20,5         | Ring IR 20x25x20,5                   | 2                 |
| 12                                     | 151051701                       | A,B,C,E  | Washer 30,2/50 -2 Zn       | Unterlage 30,2/50 -2 Zn              | 8                 |
| 13                                     | 150383506                       | A,B,C,E  | Circlip 30x2               | Sicherungsring 3x2                   | 4                 |
| 14                                     | 000246503                       | A,B,C,E  | Lubricator A M6            | Schmiemippel A M6                    | 6                 |
| 15                                     | 150084704                       | A,B,C,E  | Pin                        | Spannstift                           | 2                 |
| 16                                     | 150257304                       | A,B,C,E  | Washer 13                  | Unterlage 13                         | 4                 |
| 17                                     | 150087202                       | A,B,C,E  | Screw M12x25 8.8 Zn        | Schraube M12x25 8.8 Zn               | 4                 |
| 18                                     | 000240000                       | A,B,C,E  | Cotter 5x32 Zn             | Splint 5x32 Zn                       | 2                 |

A = STAR 400  
B = STAR 430  
C = STAR 360  
E = STAR 470

Bild 8  
Fig 8



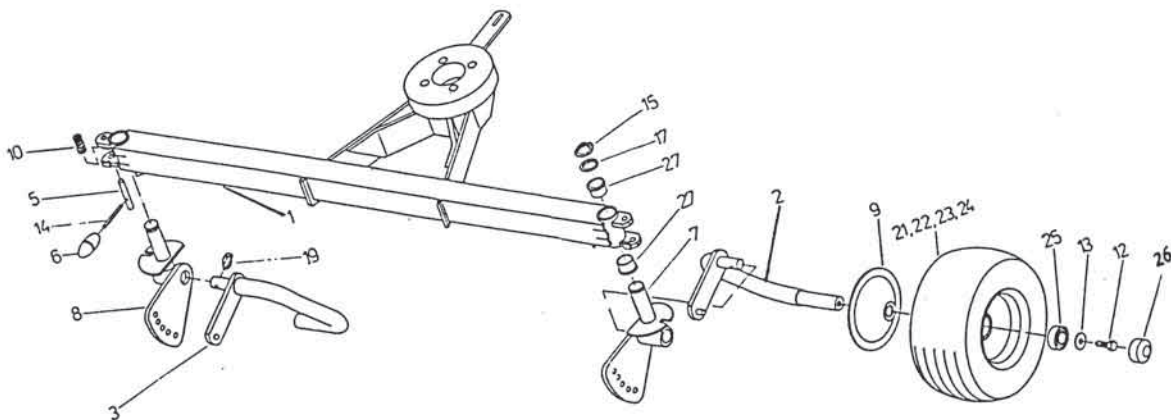


| No.on the figure<br>Numer<br>anzeichn. | Catalogue no.<br>Katalog nummer | Description           | Benennung              | Quantity<br>Stück |
|--|---------------------------------|-----------------------|------------------------|-------------------|
| 1                                      | 154042306-383.07.001.0          | Frame                 | Unterfahrvorrichtung   | 1                 |
| 2                                      | 154043109-383.07.009.0          | Wheel bow left        | Radbögen links schw.   | 1                 |
| 3                                      | 154043305-383.07.011.0          | Wheel bow right       | Radbögen rechts schw.  | 1                 |
| 5                                      | 151688506-330.05.026.0          | Pin                   | Stift                  | 2                 |
| 6                                      | 152378901-337.00.018.0          | Handle                | Handgrif               | 2                 |
| 7                                      | 153684702-373.07.006.0          | Bracket left          | Konsolr links schw.    | 1                 |
| 8                                      | 153684908-373.07.008.0          | Bracket right         | Rechts schw.           | 1                 |
| 9                                      | 153667517-377.05.005.1          | Protection            | Schützung              | 2                 |
| 10                                     | 151381105-455.02.095.1          | Spring                | Feder                  | 2                 |
| 12                                     | 150087202                       | Screw M12x25 8.8 Zn   | Schraube M12x25 8.8 Zn | 2                 |
| 13                                     | 150257304                       | Washer 13 Zn          | Unterlage 13 Zn        | 2                 |
| 14                                     | 150060908                       | Pin                   | Spannstift 10x70       | 2                 |
| 15                                     | 000237504                       | Circlip 30            | Sicherungsring 30      | 2                 |
| 17                                     | 151014404                       | Washer 30,2x38x2      | Unterlage 30,2x38x2    | 2                 |
| 19                                     | 150299803                       | Pin 8x42              | Sicherungsstift 8x42   | 2                 |
| 21                                     | 150405207-MEFRO                 | Wheel 15x6.00         | Rad kpl. 15x6.00       | 2                 |
| 22                                     | 150257000                       | Tyre 15x6.00-6 4 PR   | Bearing 15x6.00-6 4 PR | 2                 |
| 23                                     | 150257108                       | Pneumatics            | Pneumatik              | 2                 |
| 24                                     | 150260309                       | Rim 4.00x6 kpl.       | Felge 4.00x6 kpl.      | 2                 |
| 25                                     | 000255208                       | Bearingj KR 6205 2 RS | Lager KR 6205 2 RS     | 4                 |
| 26                                     | 155472507                       | Cover Ø52 MEFRO       | Deckel Ø52 MEFRO       | 2                 |
| 27                                     | 150397403-INA                   | Sleeve PAF 30260 P11  | Buchse PAF 30260 P11   | 4                 |

STAR 345

Bild 9

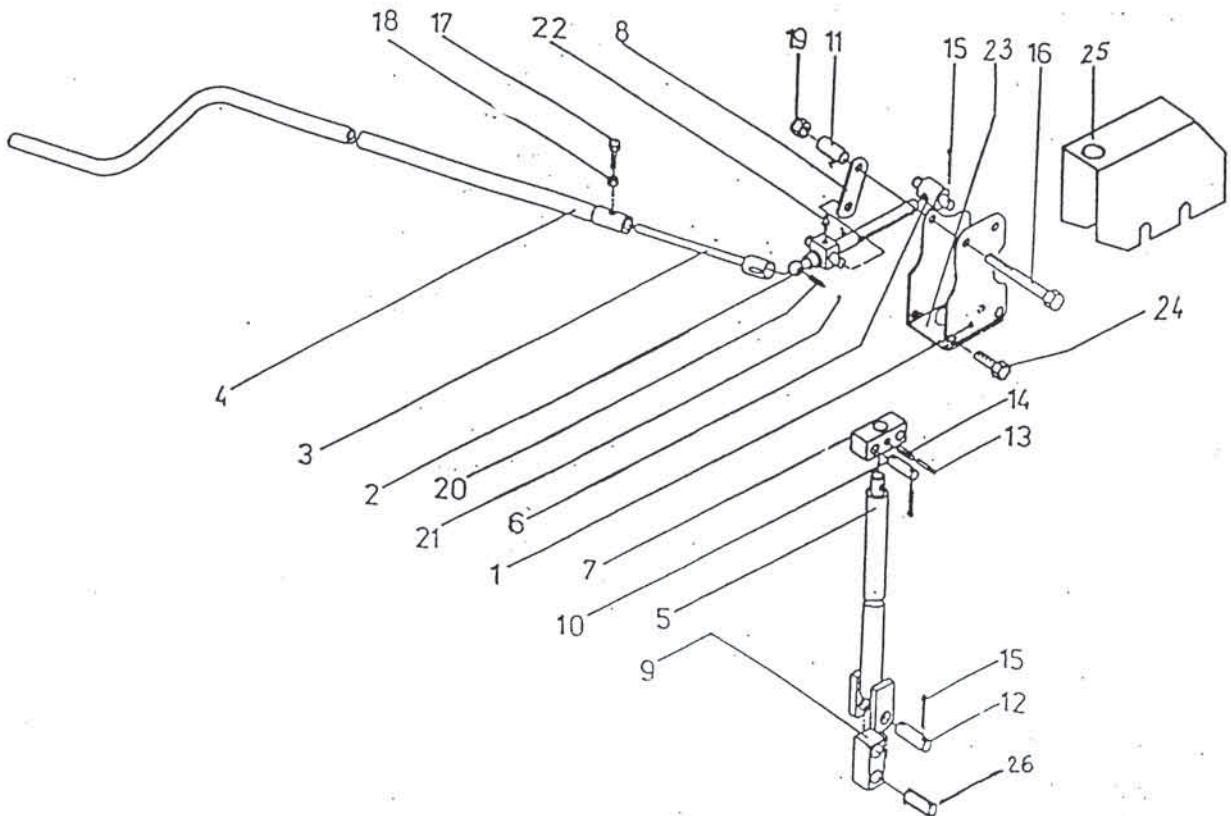
Fig 9



| No.on the figure<br>Numer<br>anzeichn. | Catalogue no.<br>Katalog nummer | Description         | Benennung                 | Quantity<br>Stück |
|--|---------------------------------|---------------------|---------------------------|-------------------|
| 1                                      | 153658910-372.06.002.1          | Bracket             | Konsole                   | 2                 |
| 2                                      | 153659116-372.06.004.1          | Spindle             | Spindel                   | 1                 |
| 3                                      | 153659507-372.06.008.0          | Bolt welded         | Strebe, Geschw.           | 1                 |
| 4                                      | 153755305-381.06.001.0 A,B      | Lever welded        | Kurbelstange, Geschw.     | 1                 |
| 4                                      | 153755305-381.06.001.0          | Lever welded        | Kurbelstange, Geschw.     | 1                 |
| 5                                      | 153660103-372.06.014.0          | Bolt welded         | Strebe, Geschw.           | 1                 |
| 6                                      | 153660417-372.06.017.1          | Nut 3               | SK-Mutter 3               | 1                 |
| 7                                      | 153660504-372.06.018.0          | Strap               | Lasche                    | 1                 |
| 8                                      | 153660612-372.06.019.1          | Strap 4             | Lasche 4                  | 8                 |
| 9                                      | 153607000-372.06.020.0          | Bolt                | Strebe                    | 1                 |
| 10                                     | 153660906-372.06.022.0          | Bolt 5              | Bolzen                    | 2                 |
| 11                                     | 153661004-TN 03                 | Sleeve 1            | Buchse 1                  | 2                 |
| 12                                     | 152165800-520.06.024.0          | Bolt                | Bolzen                    | 1                 |
| 13                                     | 000232509                       | Pin 5x28            | Spannstift 5x28           | 1                 |
| 14                                     | 150116305                       | Pin 8x30            | Spannstift 8x30           | 1                 |
| 15                                     | 000239003                       | Cotter 4x25         | Splinte 4x25              | 12                |
| 16                                     | 150196109                       | Screw M12x80        | SK-Schraube M12x80        | 2                 |
| 17                                     | 150368006                       | Screw M8x20         | SK-Schraube M8x20         | 1                 |
| 18                                     | 000220709                       | Nut M8              | SK-Mutter M8              | 1                 |
| 19                                     | 000250604                       | Nut M12 Cd          | SK-Mutter M12 Cd          | 6                 |
| 20                                     | 150367800                       | Pin M6x32 8.8 Zn    | Spannstift M6x32 8.8 Zn   | 1                 |
| 21                                     | 150367702                       | Pin 3,5x32 Zn       | Spannstift 3,5x32 Zn      | 1                 |
| 22                                     | 000246503                       | Nipple AM6          | Schmiernippel AM6         | 1                 |
| 23                                     | 153659018-372.06.003.1          | Plate               | Plate                     | 1                 |
| 24                                     | 000212004                       | Screw M12x30 8.8 Zn | SK-Schraube M12x30 8.8 Zn | 4                 |
| 25                                     | 153923400-372.06.050.0          | Shield welded       | Abdeckblech geschw.       | 1                 |
| 26                                     | 151803702-330.01.096.0          | Bolt                | Bolzen                    | 1                 |

A = STAR 400  
B = STAR 430  
C = STAR 360

**Bild 10**  
**Fig 10**

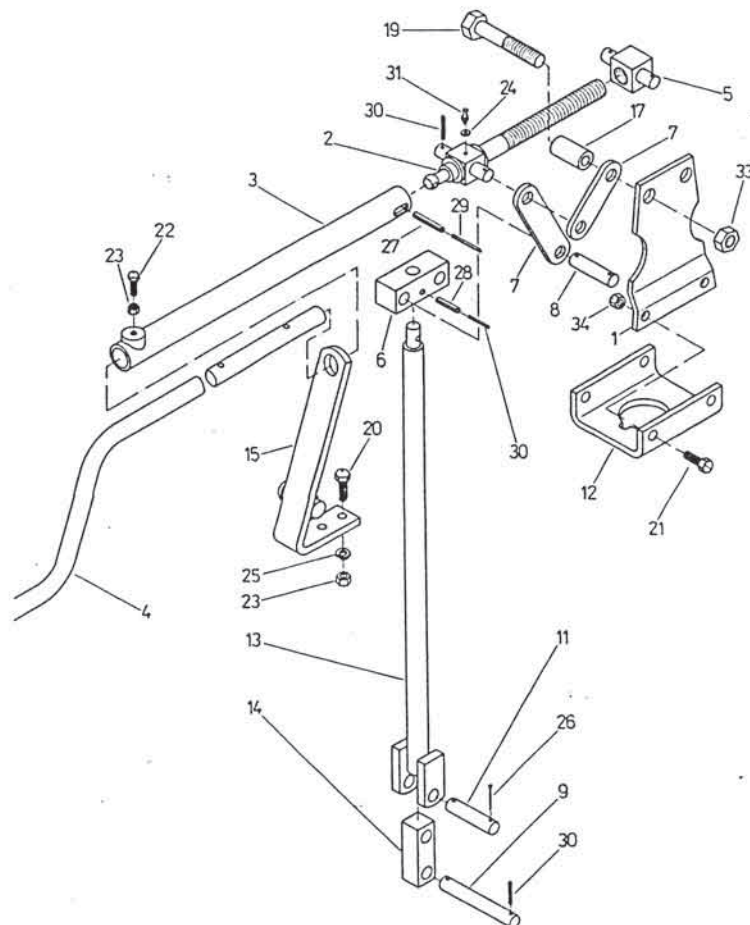




| No. on the figure<br>Numer<br>anzeichn. | Catalogue no.<br>Katalog nummer | Description          | Benennung              | Quantity<br>Stück |
|---|---------------------------------|----------------------|------------------------|-------------------|
| 1                                       | 154072309-380.06.001.0          | Bracket              | Konsole                | 2                 |
| 2                                       | 154072407-380.06.002.0          | Spindle              | Spindel                | 1                 |
| 3                                       | 154072808-380.06.006.0          | Tube                 | Rohr schw.             | 1                 |
| 4                                       | 154073102-380.06.008.0          | Handle               | Händchen               | 1                 |
| 5                                       | 154073004-380.06.009.0          | Nut 3                | Mutter 3               | 1                 |
| 6                                       | 154073200-380.06.010.0          | Eye Zn               | Uhr Zn                 | 1                 |
| 7                                       | 154073308-380.06.011.0          | Eye 4                | Uhr 4                  | 8                 |
| 8                                       | 154073406-380.06.012.0          | Bolt 5               | Bolzen 5               | 2                 |
| 9                                       | 154073503-380.06.013.0          | Bolt 5               | Bolzen 5               | 1                 |
| 11                                      | 151803702-330.-01.096.0         | Bolt 5               | Bolzen 5               | 1                 |
| 12                                      | 153659018-372.06.003.1          | Plate                | Plate                  | 1                 |
| 13                                      | 153660103-372.06.014.0          | Bar                  | Strebe schw.           | 1                 |
| 14                                      | 153660700-372.06.020.0          | Bar                  | Strebe                 | 1                 |
| 15                                      | 153923703-372.06.053.0          | Holder               | Handhebe               | 1                 |
| 17                                      | 154073601-Priraz                | Sleeve 1-16/22x41 Zn | Buchse 1-16/22x41 Zn   | 2                 |
| 19                                      | 159502200                       | Screw M16x90 8.8 Zn  | Schraube M16x90 8.8 Zn | 2                 |
| 20                                      | 000200400                       | Screw M8x30 8.8 Zn   | Schraube M8x30 8.8 Zn  | 2                 |
| 21                                      | 000212004                       | Screw M12x30 8.8 Zn  | Schraube M12x30 8.8 Zn | 4                 |
| 22                                      | 000209107                       | Screw M8x25 8.8      | Schraube M8x25 8.8     | 1                 |
| 23                                      | 000220905                       | Nut M8 8 Zn          | Mutter 8 8 Zn          | 3                 |
| 24                                      | 159965308                       | Washer 6 Zn          | Unterlage 6 Zn         | 2                 |
| 25                                      | 000228202                       | Washer B8 Zn         | Federunterlage         | 2                 |
| 26                                      | 000239003                       | Cotter 4x25 Zn       | Splint 4x25 Zn         | 2                 |
| 27                                      | 000234204                       | Pin 8x40             | Spannstift 8x40        | 1                 |
| 28                                      | 150116305                       | Pin 8x30 Zn          | Spannstift 8x30 Zn     | 1                 |
| 29                                      | 000232803                       | Pin 5x40             | Spannstift 5x40        | 1                 |
| 30                                      | 000256804                       | Pin 5x28 Zn          | Spannstift 5x26 Zn     | 11                |
| 33                                      | 150171101                       | Nut M16 5 Cd         | Mutter M16 5 Cd        | 2                 |
| 34                                      | 000250604                       | Nut M12 5 Cd         | Spannstift             | 4                 |

STAR 470

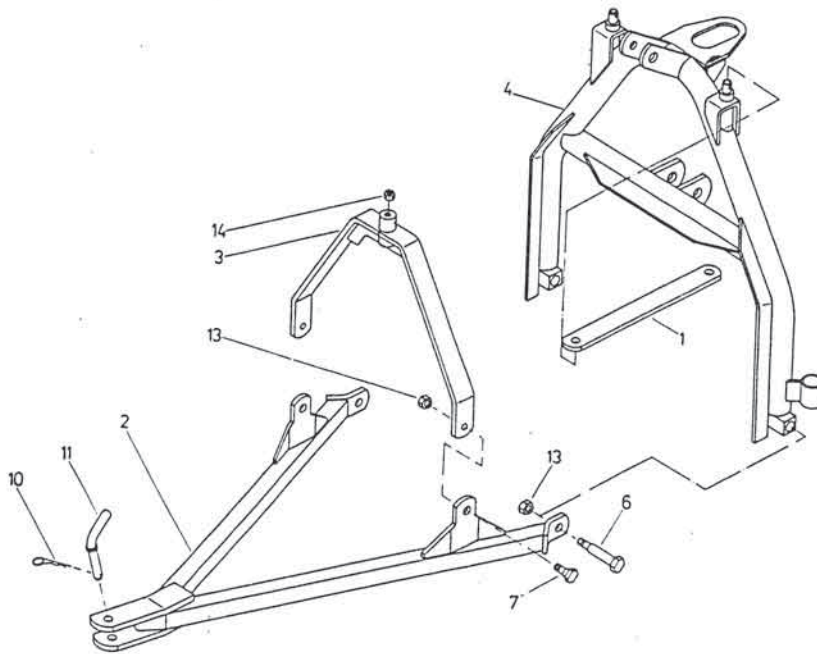
Bild 11  
Fig 11



| No.on the figure<br>Numer<br>anzeichn. | Catalogue no.<br>Katalog nummer | Description           | Benennung                | Quantity<br>Stück |
|--|---------------------------------|-----------------------|--------------------------|-------------------|
| 1                                      | 153814509-372.20.001.0          | Band 3                | Strebe 3                 | 2                 |
| 2                                      | 153814607-372.20.002.0          | Hitch pull type       | Gezogene Anbanbock schw. | 1                 |
| 3                                      | 154088702-380.20.001.0          | Bow                   | Bogen schw.              | 1                 |
| 4                                      | 153651310-382.02.017.1          | Bow                   | Bogen schw.              | 1                 |
| 6                                      | 153816302-372.20.020.0          | Screw 7 Zn            | Schraube 7 Zn            | 2                 |
| 7                                      | 153816400-372.20.021.0          | Screw 7 Zn            | Schraube 7 Zn            | 2                 |
| 10                                     | 151939503-338.00.008.0          | Wire safety clamp 4,5 | Feder vorstecker 4,5     | 1                 |
| 11                                     | 153663404-377.00.005.0          | Bolt Zn               | Bolzen schw.             | 1                 |
| 13                                     | 150171101                       | Nut M16 5 Cd          | Mutter M16 5 Cd          | 4                 |
| 14                                     | 150040208                       | Nut M16 8 Zn          | Mutter M16 8 Zn          | 1                 |

STAR 470 v

Bild 12  
Fig 12

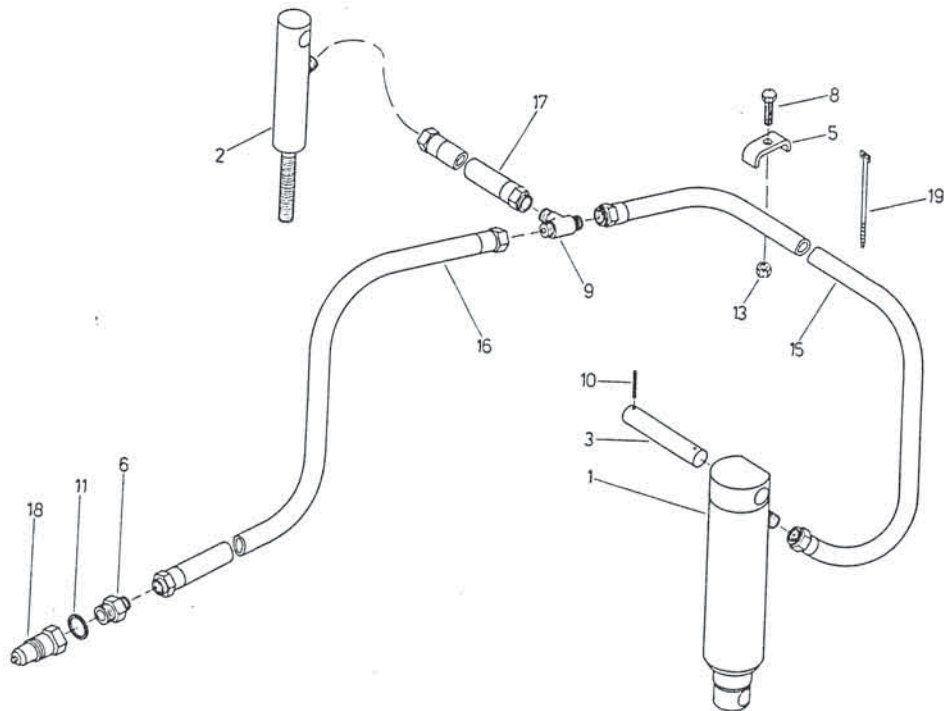




| No.on the figure<br>Numer<br>anzeichn. | Catalogue no.<br>Katalog nummer | Description              | Benennung                          | Quantity<br>Stück |
|--|---------------------------------|--------------------------|------------------------------------|-------------------|
| 1                                      | 154089202-380.60.001.0          | Hydraulic cylinder       | Hydraulische Zylinder              | 1                 |
| 2                                      | 154089300-380.60.002.0          | Hydraulic cylinder       | Hydraulische Zylinder              | 1                 |
| 3                                      | 154089408-380.60.003.0          | Bolt 5                   | Bolzen                             | 2                 |
| 5                                      | 151684706-330.03.010.0          | Holder                   | Träger                             | 1                 |
| 6                                      | 152531503-453.08.013.0          | Connretion 14/22 A10 A10 | Anschluss 14/22 A10                | 1                 |
| 8                                      | 150158304                       | Screw M8x40 8.8 Zn       | Schraube M8x40 8.8 Zn              | 1                 |
| 9                                      | 150408801                       | Connection M14x1,5       | Schlepperanschluss M14x1,5         | 1                 |
| 10                                     | 150084704                       | Pin 5x32 Zn              | Spannstift 5x32 Zn                 | 4                 |
| 11                                     | 000252906                       | Washer A 22x27 Cu        | Unterlage A 22x27 Cu               | 1                 |
| 13                                     | 000250800                       | Nut M8 5 Cd              | Mutter M8 5 Cd                     | 1                 |
| 15                                     | 150196200                       | Tube V1 NP6x2600 A10 A10 | Rohr V1 NP6x2600 A10 A10           | 1                 |
| 16                                     | 150411209                       | Tube V1 NP6x2200 A10 A10 | Rohr V1 NP6x2200 A10 A10           | 1                 |
| 17                                     | 150408605                       | Tube V1 NP6x410 A10 A10  | Rohr V1 NP6x410 A10 A10            | 1                 |
| 18                                     | 150108403                       | Clamp AMD M22x1,5        | Hydraulische Anschluss AMD M22x1,5 | 1                 |
| 19                                     | 150167704                       | String VTO 15 250        | Verbindung                         | 2                 |

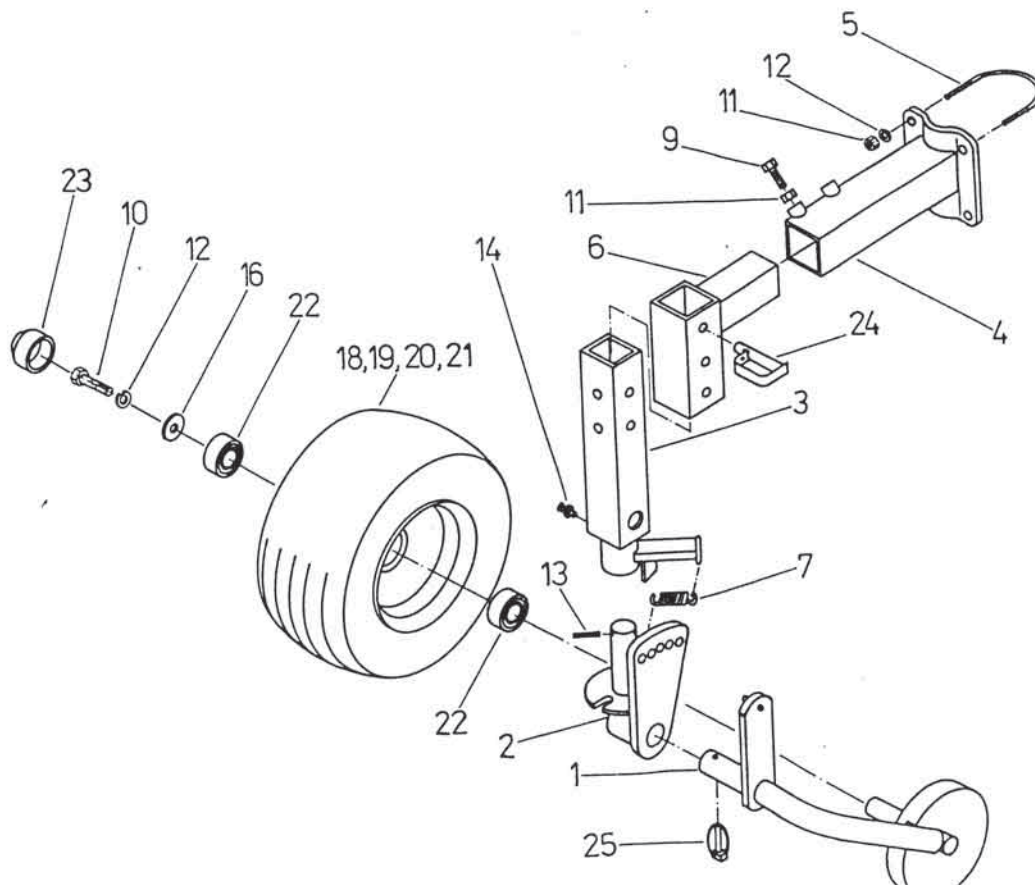
STAR 470 V

Bild 13  
Fig 13



| No.on the figure<br>Numer<br>anzeichn. | Catalogue no.<br>Katalog nummer | Description          | Benennung              | Quantity<br>Stück |
|--|---------------------------------|----------------------|------------------------|-------------------|
| 1                                      | 154026805-374.72.002.0          | Wheel bow right      | Radbogen recht schw.   | 1                 |
| 2                                      | 154027001-374.72.004.0          | Bracket              | Konsole schw.          | 1                 |
| 3                                      | 154027608-374.72.008.0          | Holder               | Träger schw.           | 1                 |
| 4                                      | 154028108-374.72.014.0          | Tube                 | Rohr schw.             | 1                 |
| 5                                      | 154028304-374.72.020.0          | Stirrup Zn           | Umarmen schrauben Zn   | 2                 |
| 6                                      | 154110401-374.72.021.0          | Holder 2             | Träger 2 schw.         | 1                 |
| 7                                      | 151780406-152.09.120.0          | Spring 2             | Feder 2                | 2                 |
| 9                                      | 159445004                       | Screw M12x40 8.8 Zn  | Schraube M12X40 8.8 Zn | 2                 |
| 10                                     | 150087202                       | Screw M12x25 8.8 Zn  | Schraube M12x25 8.8 Zn | 1                 |
| 11                                     | 150160300                       | Nut M12 8 Zn         | Mutter M12 Zn          | 6                 |
| 12                                     | 000228603                       | Washer B12 Zn        | Unterlage B12 Zn       | 5                 |
| 13                                     | 000233401                       | Pin 6x36             | Spannstift 6x 36       | 1                 |
| 14                                     | 000246601                       | Nipple AM 8x1        | Schmiernippel AM 8x1   | 1                 |
| 16                                     | 151006002-TN 01                 | Washer 13/35x3 Zn    | Unterlage 13/35x3 Zn   | 1                 |
| 18                                     | 150405207-MEFRO                 | Wheel 15x6.00        | Rad 15x6.00            | 1                 |
| 19                                     | 150257000                       | Tyre 15x6.00-6 4 PR  | Reifung 15x6.00 4 PR   | 1                 |
| 20                                     | 150257108                       | Pneumatics 15x6      | Schlauch 15x6          | 1                 |
| 21                                     | 150405305                       | Rim 4.5x6.00         | Felge 4.5x6.00         | 1                 |
| 22                                     | 000255208                       | Bearing KR 6205 2 RS | Lager KR 6205 2 RS     | 2                 |
| 23                                     | 155472507                       | Cover Ø52 MEFRO      | Deckel Ø52 MEFRO       | 1                 |
| 24                                     | 150381508                       | Bolt KSB 65          | Federbolzen KSB 65     | 1                 |
| 25                                     | 150299803                       | Pin 8x45             | Bolzen 8x45            | 1                 |

**Bild 14**  
**Fig 14**



| No.on the figure<br>Numer<br>anzeichn. | Catalogue no.<br>Katalog nummer | Benennung               | Description             | Quantity<br>Stück |
|--|---------------------------------|-------------------------|-------------------------|-------------------|
| 1                                      | 153753415-381.02.001.1          | Trager geschw.          | Holder welde            | 1                 |
| 2                                      | 153651310-381.02.009.1          | Buegel geschw.          | Bow welded              | 1                 |
| 3                                      | 153652417-372.02.028.1          | Lagerrohr geschw.       | Tube                    | 1                 |
| 4                                      | 153652602-372.02.030.0          | Strebe 5                | Band 5                  | 2                 |
| 5                                      | 153753904-381.02.006.0          | Welle geschw.           | Shaft                   | 1                 |
| 6                                      | 153652916-372.02.036.1          | Stuetzfuse              | Support leg             | 1                 |
| 7                                      | 153263809-368.00.022.0          | Bolzen, links geschw.   | Bolt left welde         | 1                 |
| 8                                      | 153264005-368.00.026.0          | Bolzen, rechts geschw.  | Bolt right welded       | 1                 |
| 9                                      | 153264201-368.00.029.0          | Bolzen                  | Bolt                    | 2                 |
| 10                                     | 152903807-516.02.015.0          | Federvorstecker         | Safetx pin              | 1                 |
| 11                                     | 152903709-516.00.020.0          | Gliedkette kpl.         | Chain cpl.              | 1                 |
| 12                                     | 151071306-11.23.047.6           | Achse                   | Axle                    | 1                 |
| 13                                     | 000251300                       | PodloScheibe A16        | Washer A16              | 2                 |
| 14                                     | 152595301-338.03.011.0          | Gelenkwellen Schutz     | P.T.O. Shaft protection | 1                 |
| 15                                     | 151027604-510.05.057.0          | Buechse (Kunststoff)    | Sleeve plastic          | 2                 |
| 16                                     | 151024206-TN 01                 | Scheibe                 | Washer                  | 1                 |
| 17                                     | 152001103-TN 01                 | Scheibe 18,2a 32x2      | Washer 18,2/32x2        | 2                 |
| 18                                     | 000238004                       | Sicherungsring 60       | Circlip 60              | 1                 |
| 19                                     | 000240000                       | Splinte 5x32            | Cotter 5x32             | 4                 |
| 20                                     | 150084704                       | Spannstift 5x32         | Rollpin 5x32            | 4                 |
| 21                                     | 000240402                       | Splinte 5x50            | Cotter 5x50             | 1                 |
| 22                                     | 000240803                       | Splinte 6,3x40          | Cotter 6,3x40           | 2                 |
| 23                                     | 000237602                       | Sicherungsring 35       | Circlip 35              | 1                 |
| 24                                     | 000221502                       | SK-Mutter M12           | Nut M12                 | 12                |
| 25                                     | 000228603                       | Scheibe B12             | Washer B12              | 4                 |
| 26                                     | 000251505                       | Scheibe B16             | Washer B16              | 4                 |
| 27                                     | 000224509                       | Scheibe A12             | Washer A12              | 4                 |
| 28                                     | 150136506                       | SK-Schraube M12x70      | Screw M12 x70           | 4                 |
| 29                                     | 000253905                       | SK-Schraube M 16x35     | Screw M16x35            | 4                 |
| 30                                     | 150175704-FKL                   | Lager UYF 207           | Bearing UYF 207         | 1                 |
| 31                                     | 152595115-338.03.006.1          | Bolzen mit Versicherung | Bolt                    | 1                 |
| 32                                     | 151029407-200.07.005.0          | Federbuchse             | Sleeve                  | 1                 |
| 33                                     | 153923703-372.06.053.0          | Traeger                 | Holder                  | 1                 |
| 34                                     | 000200400                       | SK-Schraube M8x30       | Screw M8x30             | 2                 |
| 35                                     | 000220905                       | SK-Mutter M8            | Nut M8                  | 2                 |
| 36                                     | 000228202                       | Scheibe B8              | Washer B8               | 2                 |
| 37                                     | 151467905-590.01.020.0          | Gumi puffer             | Bumper                  | 2                 |

STAR 360

Bild 15  
Fig 15

